



This manual covers the following models:

TT-ROS-250S

Used with Wired Remote Sensor Capable Thermostat

Outdoor Temperature Sensor
Slab Sensor



Congratulations on purchasing a TopTech Wired Sensor.

This remote sensor was designed to the highest reliability and ease of use standards. Thank you for choosing TopTech.



Caution:

Equipment damage hazard

Do not operate the cooling system if the outdoor temperature is below 50° F (10° C) to prevent possible compressor damage.

Table of Contents

Page

New Installations	2, 3
Wiring	3
Connecting to a Thermostat	4
Contact Us and Warranty Registration	5

Need Help?

For assistance with this product please visit <http://www.toptechparts.com>.

For technical support call 1-888-776-1427 during normal business hours (Mon-Fri 9 AM - 6 PM Eastern).

For general customer support call our Customer Care Center toll-free at 1-866-239-4440.

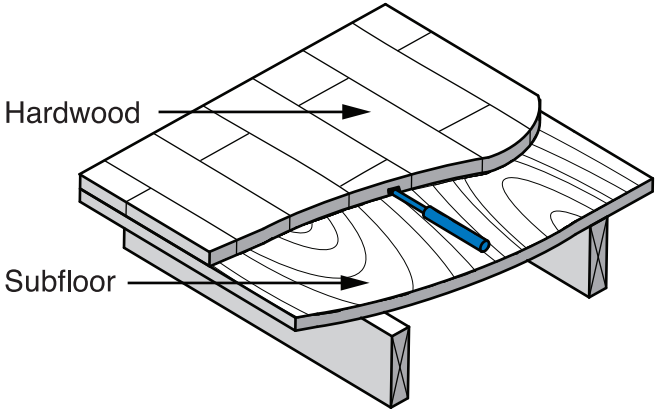
Una versión española de este manual puede ser descargada en www.toptechparts.com

Installing the TT-ROS-250S as a Floor Sensor

Before wiring, the TT-ROS-250S needs to be installed. The stainless steel housing allows this sensor to be placed into concrete, thin-set, and grout. The following five examples demonstrate the proper way to install a TT-ROS-250S as a floor sensor in conventional floor construction.

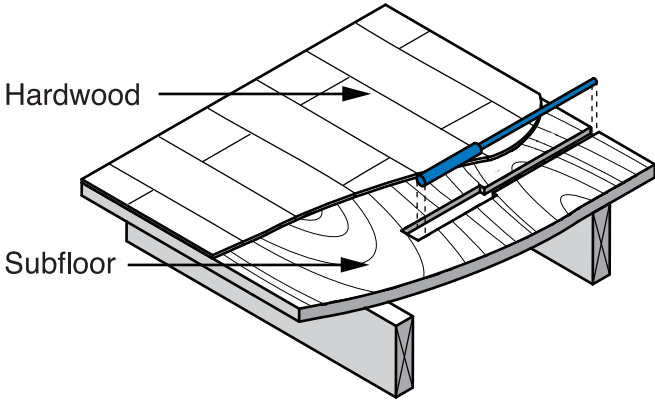
Thick Covering - Greater Than 3/8" (10mm)

If the thick floor covering is installed directly to the subfloor, a 1/8" (4mm) wide by 1/16" (2mm) deep groove should be cut into the **back of the floor cover** to allow for the TT-ROS-250S wire. Position the sensor in such a place that the wire can reach the location of its junction box. The groove for where the sensor will be placed should be 1/4" (8mm) wide by 1/4" (8mm) deep by 1 3/4" (45mm) long. For accurate temperature reading, the sensor should be located exactly between heating elements.



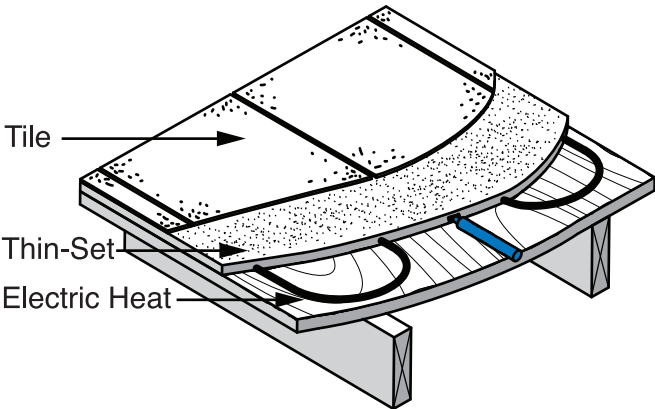
Thin Covering - Less Than 3/8" (10mm)

If the thin floor covering is installed directly to the subfloor, a 1/8" (4mm) wide by 1/16" (2mm) deep groove should be cut into the **surface of the subfloor** to allow for the TT-ROS-250S wire. Position the sensor in such a place that the wire can reach the location of its junction box. The groove for where the sensor will be placed should be 1/4" (8mm) deep by 1 3/4" (45mm) long. For accurate temperature reading the sensor should be located exactly between the heating elements.



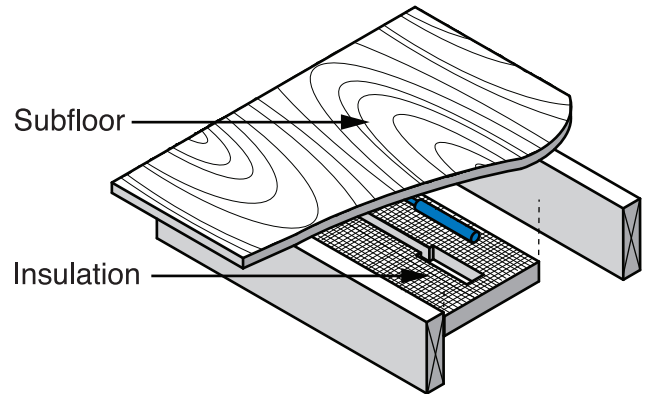
Thin-Set or Thin-Pour

If the floor covering is installed over the thin-set or thin-pour material of sufficient depth, the TT-ROS-250S sensor can be placed into **either material** and then covered by the floor covering. Position the sensor in such a place that the wire can reach the location of its junction box. For accurate temperature reading, the sensor should be located exactly between the heating elements.



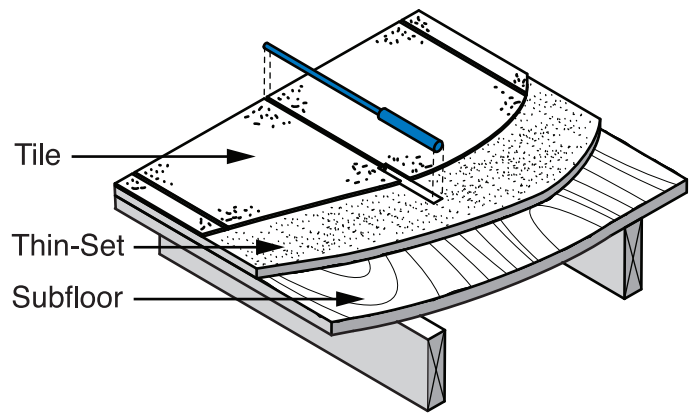
Installing to the bottom of the subfloor

If installing the TT-ROS-250S sensor to the **bottom of the subfloor**, cut a piece of 1" (25mm) thick insulation into a 6" (150mm) by 6" (150mm) square. A 1/4" (8mm) wide by 1/4" (8mm) deep by 1 3/4" (45mm) long groove should be cut into the insulation to allow for the sensor. Position the sensor in such a place that the wire can reach the location of its junction box. Use a preferred and effective method to fasten the insulation to the subfloor.



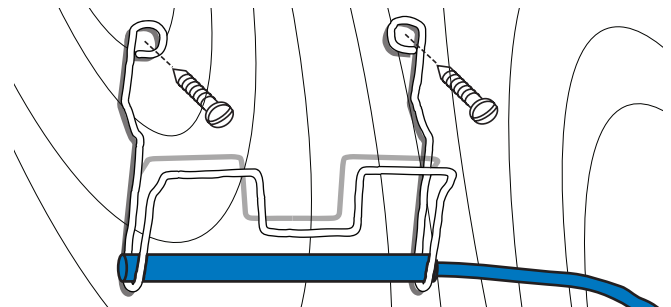
Tile Flooring

The TT-ROS-250S sensor can be installed into **existing tile with adequate grout lines**. Select a location for the sensor that is exactly between the heating elements and in a low traffic area. Position the sensor in such a place that the wire can reach the location of its junction box. Remove enough of the grout line to place the sensor and wire in the floor. Then re-fill the area.



Installing the TT-ROS-250S as an Outdoor Sensor

The TT-ROS-250S can also be used as an Outdoor Temperature Sensor. Included in the package is a metal wall mount and 2 screws. Securely screw the mount with the TT-ROS-250S into a shaded area.



Wiring the TT-ROS-250S

The TT-ROS-250S is packaged with 6' of 1.8mm cable. If you need more length, 24 AWG or larger wire can be joined onto the two wires from the sensor. The splices need to be properly joined and protected in an accessible junction box.

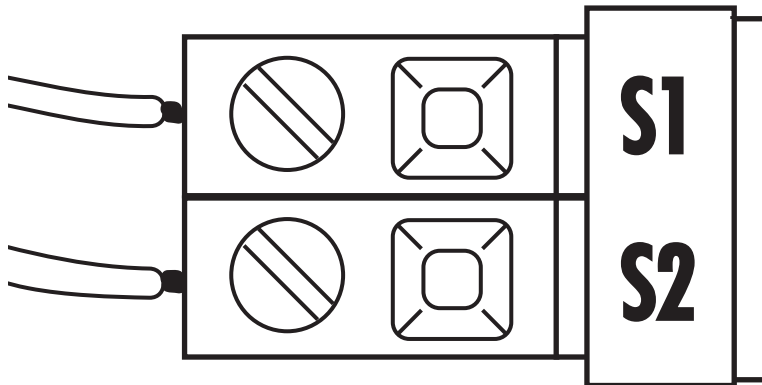


Warning:

Do NOT run the wires parallel to telephone or power cables. If there is a strong source of electromagnetic interference near the location of the sensor wires, a twisted pair or a protected cable should be used. The wires can also be run in a grounded metal conduit.

Connecting to a Wired Remote Sensor Capable Thermostat

After installation connect the TT-ROS-250S to the S terminal blocks on the Wired Remote Sensor Capable Thermostat. Loosen the terminal block screws. Insert wires, then retighten terminal block screws.



TT-ROS-250S Remote Sensor



NOTE: Refer to your Wired Remote Sensor Capable Thermostat manual for setup.

Specifications

TT-ROS-250S Wired Sensor

Temperature range -4°F to 140°F (-20°C to 60°C)
Temperature accuracy ± 1°F
Transmission Constant Resistance

Contact Us Information

TopTech by Pro1
1111 S. Glenstone
Suite 2-100
Springfield, MO 65804

For General Customer Support Call Toll-free: 1-866-239-4440

For Technical Support Call Toll-free: 1-888-776-1427

Toll Number (Outside the USA): 330-821-3600

Web: <http://www.toptechparts.com>

Hours of Operation: Monday - Friday 9 AM - 6 PM Eastern

Warranty Registration:

Your new TopTech thermostat has a 5 year limited warranty. You must register your warranty within 60 days of installation. You can register your new thermostat in 2 ways.

① Go to www.toptechparts.com, and fill out a short registration form online.

- or -

② Complete the form below and mail it to the address shown.

TopTech Warranty Registration:

Name: _____

Thermostat Model: TT-ROS-250S

Address: _____

Date Installed: _____

City: _____

Complete form and mail to:

State: _____

TopTech by Pro1
1111 S. Glenstone

Zip: _____

Suite 2-100
Springfield, MO 65804