

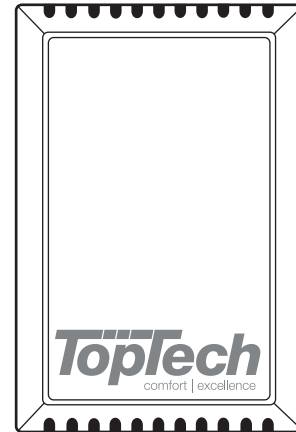


This manual covers the following models:

TT-RIS-251S


Used with Wired Remote Sensor Capable Thermostat

Indoor Temperature Sensor



Congratulations on purchasing a TopTech Wired Sensor.

This remote sensor was designed to the highest reliability and ease of use standards. Thank you for choosing TopTech.



Caution:
Equipment damage hazard
 Do not operate the cooling system if the outdoor temperature is below 50° F (10° C) to prevent possible compressor damage.

Need Help?

For assistance with this product please visit <http://www.toptechparts.com>.

For technical support call 1-888-776-1427 during normal business hours (Mon-Fri 9 AM - 6 PM Eastern).

For general customer support call our Customer Care Center toll-free at 1-866-239-4440.

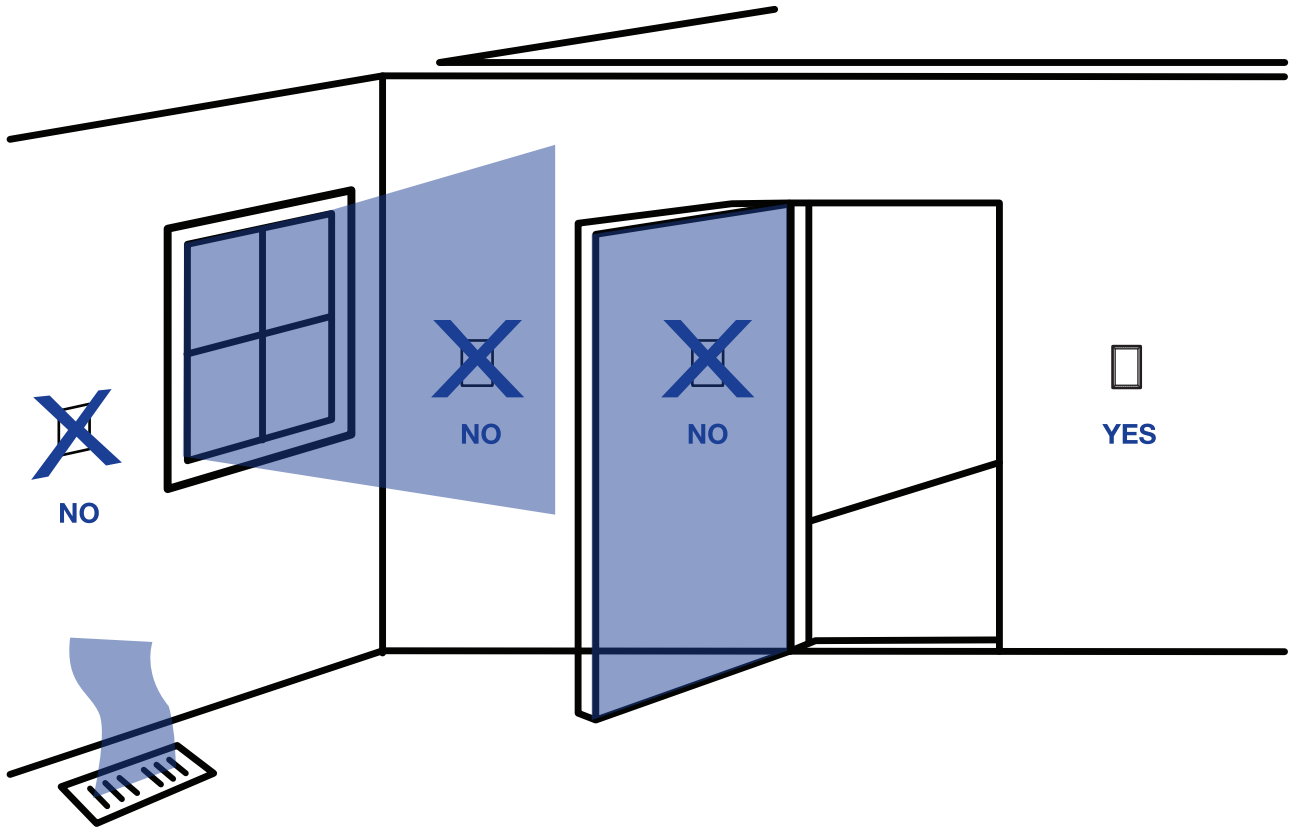
Una versión española de este manual puede ser descargada en www.toptechparts.com

Table of Contents **Page**

Mounting Locations	2
Sensor Mounting & Setup	3
Wiring	4
Specifications & Contact Us	5

Remote Sensor Locations

The remote sensor should be mounted or placed approximately 4 to 5 feet above the floor. Select an area with average temperature and good air circulation.



Do not mount or place Remote Sensors in locations:

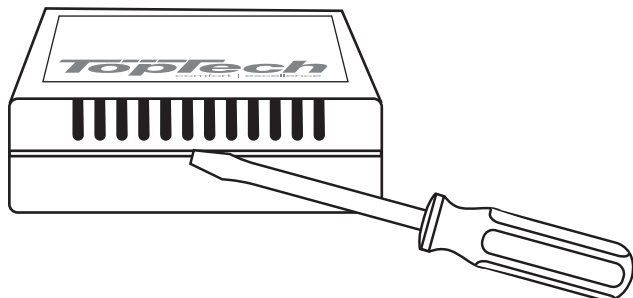
- Close to hot or cold air ducts.
- That are in direct sunlight.
- With an outside wall behind the thermostat.
- In areas that do not require conditioning.
- Where there are dead spots or drafts (in corners or behind doors).
- Where appliances could radiate heat.
- Near or on hot appliances.

Wired Range

The range between the TT-RIS-251S and the wired sensing master thermostat is up to 300 feet. The TT-RIS-251S should be installed using 18 AWG thermostat wire.

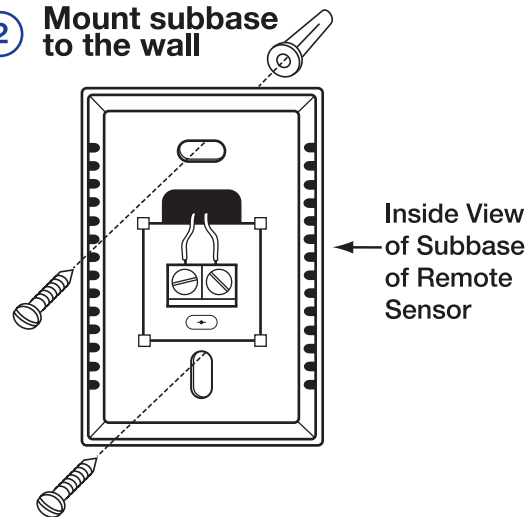
Wall Mount

- 1 Remove the cover of the TT-RIS-251S.



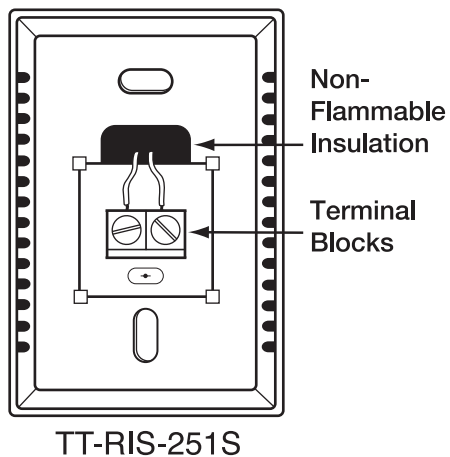
Used with Wired Remote Sensor Capable Thermostat

- 2 Mount subbase to the wall

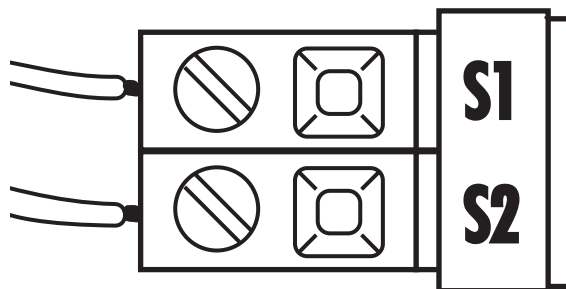


Connecting to a Wired Remote Sensor Capable Thermostat

- 1 Loosen the terminal block screws. Insert wires, then retighten terminal block screws.



- 2 Connect the TT-RIS-251S to the S terminal blocks on the Wired Remote Sensor Capable Thermostat.



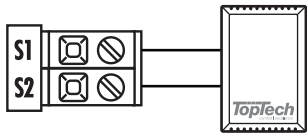
- 3 Place non-flammable insulation into wall openings to prevent drafts.

NOTE: Refer to your Wired Remote Sensor Capable Thermostat manual for setup.

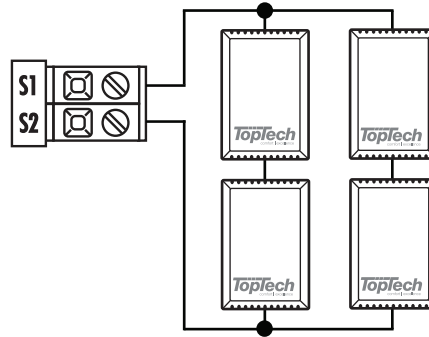
Wiring

You can connect 1, 4, 9, or 16 R251S remote sensors to a Wired Sensor Capable Thermostat to achieve a more accurate temperature average throughout a space. The following diagrams illustrate the proper ways to wire the TT-RIS-251S remote sensor. Use 18 AWG thermostat wire when installing.

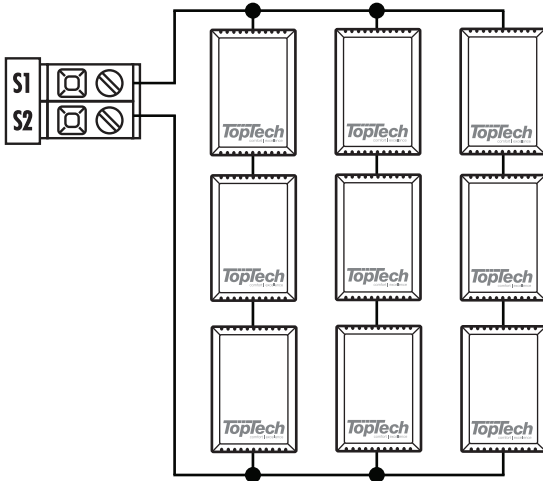
1 TT-RIS-251S



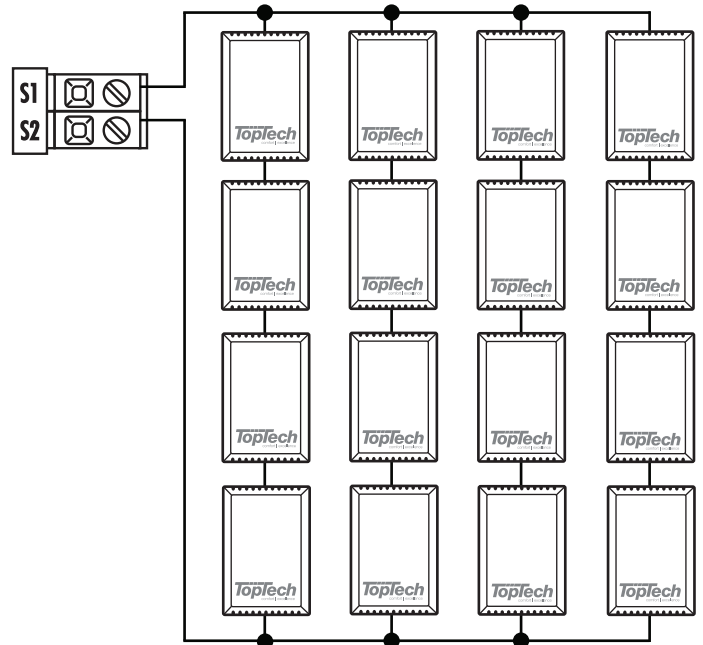
4 TT-RIS-251S



9 TT-RIS-251S



16 TT-RIS-251S



Specifications

TT-RIS-251S Wired Sensor

Operating temperature	32°F to +105°F (0° to +41°C)
Operating humidity	90% non-condensing maximum
Dimensions of sensor	1.5"W x 2.75"H x 0.75"D
Resistance Range	Up to 300 feet

Contact Us Information

TopTech by Pro1
1111 S. Glenstone
Suite 2-100
Springfield, MO 65804

For General Customer Support Call Toll-free: 1-866-239-4440

For Technical Support Call Toll-free: 1-888-776-1427

Toll Number (Outside the USA): 330-821-3600

Web: <http://www.toptechparts.com>

Hours of Operation: Monday - Friday 9 AM - 6 PM Eastern

Warranty Registration:

Your new TopTech thermostat has a 5 year limited warranty. You must register your warranty within 60 days of installation. You can register your new thermostat in 2 ways.

① Go to www.toptechparts.com, and fill out a short registration form online.

- or -

② Complete the form below and mail it to the address shown.

TopTech Warranty Registration:

Name: _____

Thermostat Model: TT-RIS-251S

Address: _____

Date Installed: _____

City: _____

Complete form and mail to:

State: _____

TopTech by Pro1
1111 S. Glenstone

Zip: _____

Suite 2-100
Springfield, MO 65804